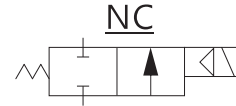
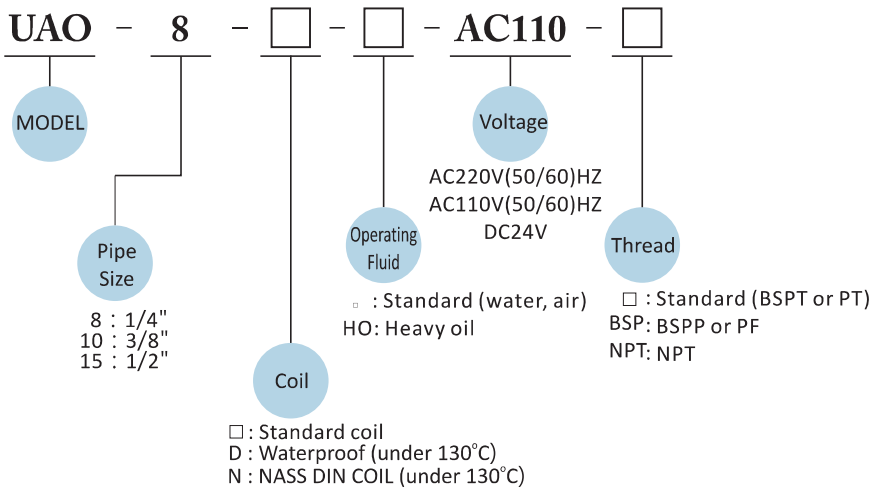


UAO-8~15



UD Series

PRODUCT DESCRIPTION

- UAO series is multiplex, piston guiding, conductive, and normally closed (NC) 2/2 way solenoid valve.
- Applied fluid type : water, air, heavy oil
- Recommend to apply to frequent operation
- Applied to sand blasting machine and high-pressure air and oil injection system.

CAUTIONS:

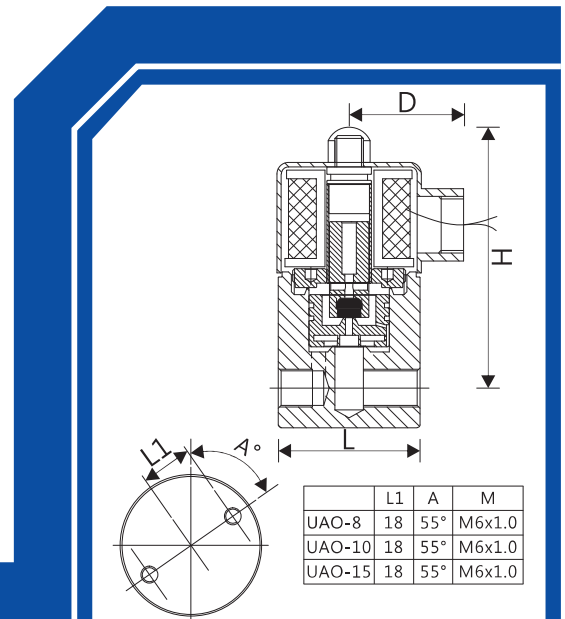
- Minimum pressure to open: over 0.5kgf-cm²
- Before pipelining, the pipe line must be very clean without any contaminants impurity.
- To extend the lifetime, Y-line filter should be installed in the front end of solenoid valve.
- AC voltage tolerance: ± 10%; DC voltage tolerance: ± 1%
- It should be installed horizontally; vertical installation is not advisable.

Not Suitable For Fluid As Below:

- Liquid status when it is in high temperature; solid status when it is in low temperature.
- Corrosive fluid
- Viscosity over 50cst

MATERIAL:

PARTS	Coil	Tube	Spring	Core	Plug	Piston	Piston plug	Valve body
MATERIAL	Special copper wire (H class)	Stainless steel	Stainless steel	Stainless steel	NBR (Viton, Silicone, PTFE)	Brass	NBR	Brass



SPECIFICATION

MODEL	Waterproof DIN/flying lead Coil	NASS DIN Coil (IP65)	PIPE SIZE	CV	ORIFICE	FLUID TEMP. (°C)	Operating Pressure kgf / cm ² (bar)					Dimension (mm)			Weight (kg)
							Water	Air	Steam	Light oil	Gas	L	H	D	
UAO-8	●		1/4"	2.5	10mm	-5°C ~ +80°C	0.5~15	0.5~15		0.5~15		50	95	48	1.13
UAO-10	●		3/8"	2.5	10mm	-5°C ~ +80°C	0.5~15	0.5~15		0.5~15		50	95	48	1.1
UAO-15	●		1/2"	2.5	10mm	-5°C ~ +80°C	0.5~15	0.5~15		0.5~15		54	100	48	1.23